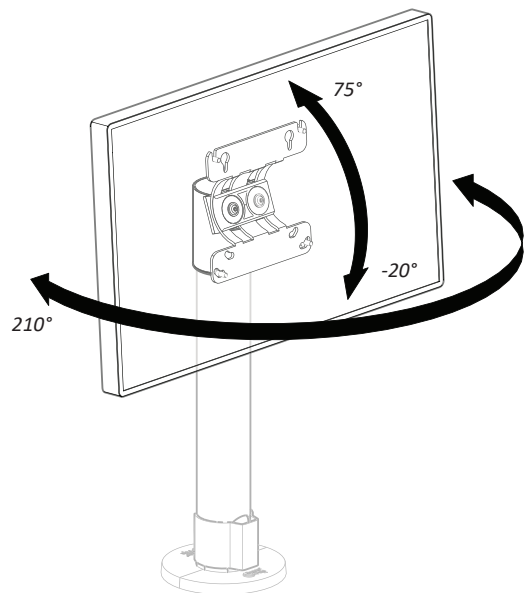
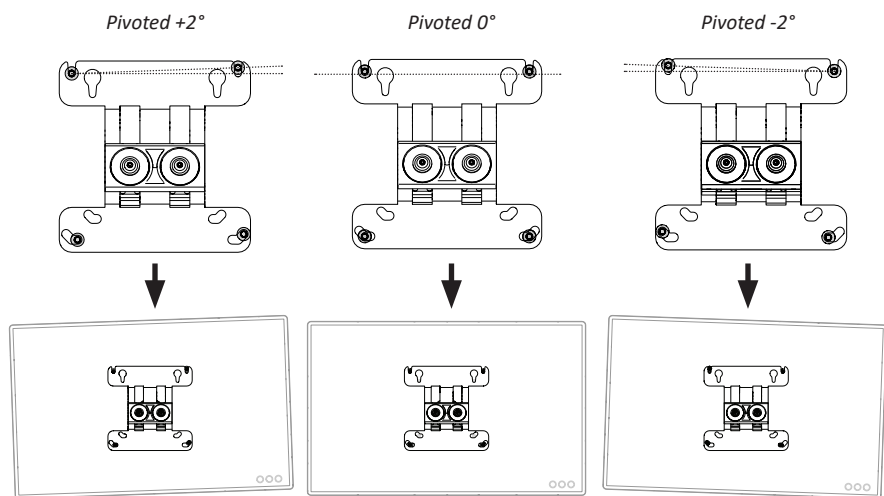


### Screen adjustments



 Cable is not illustrated to improve images' clarity.

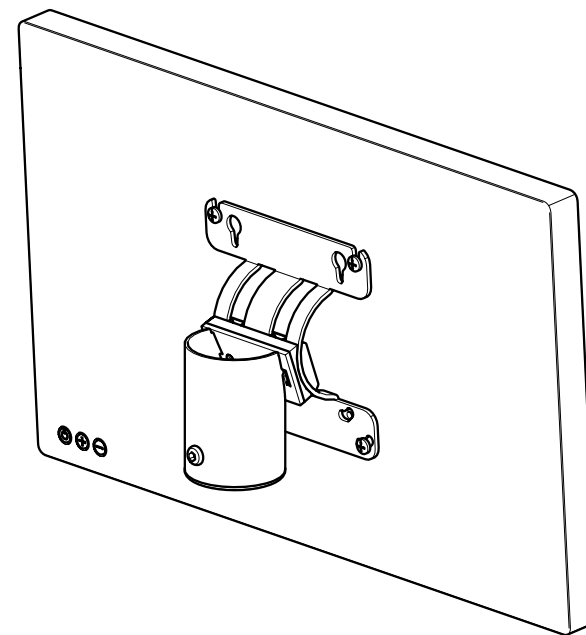
### VESA Pivot Adjustability



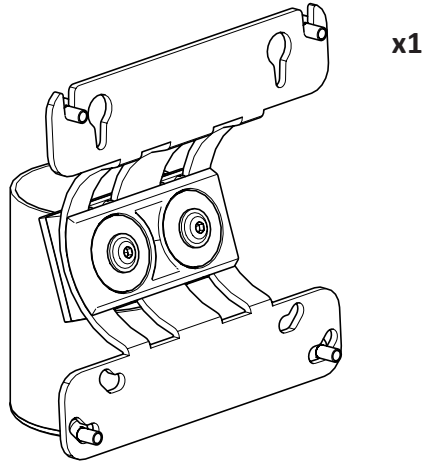
# Essentials Installation Guide

## SPV306

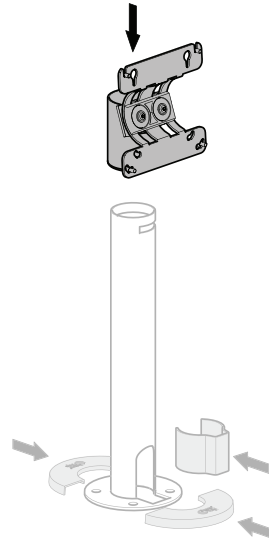
### SpacePole Arc® VESA 75/100 Top mount



### Box Content

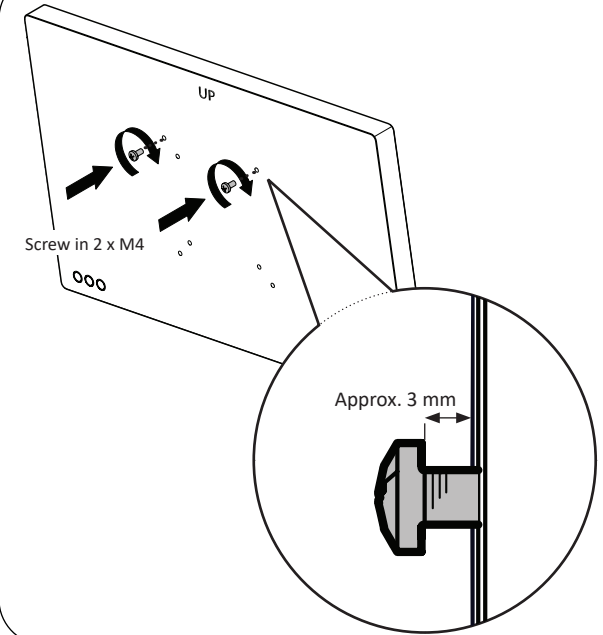


### 2 Install screen mount

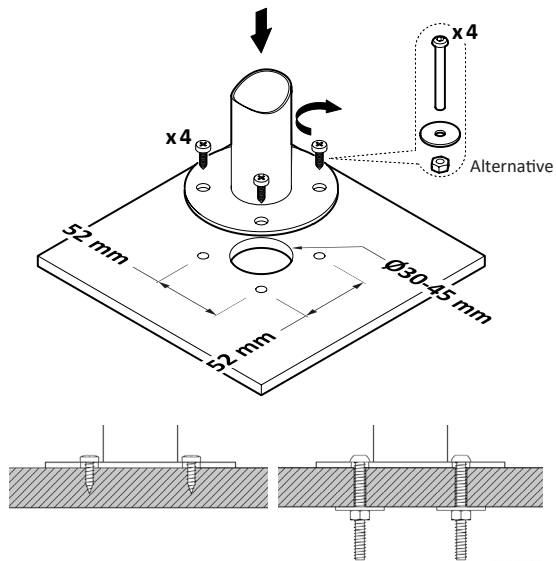


! Pole, Flange cover & Cable clip for illustration only!

### 3 Select screws and mount on screen

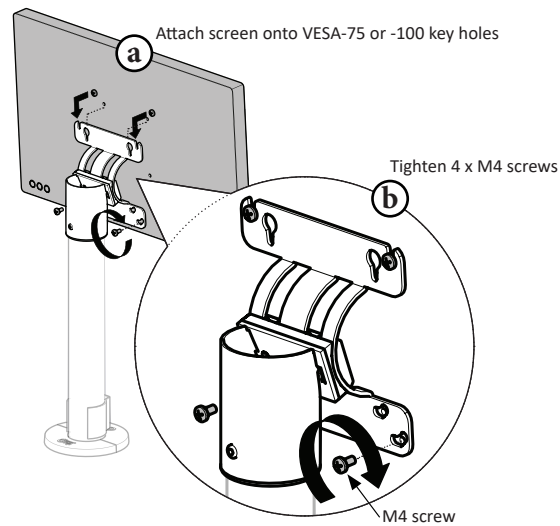


### 1 Pole counter mounting



! For more mounting options see "SpacePole FixingsGuide"

### 4 Install screen on VESA mount



! Screens can be pivoted  $\pm 2^\circ$  - see back page

### 5 Tighten screen mount screws

